

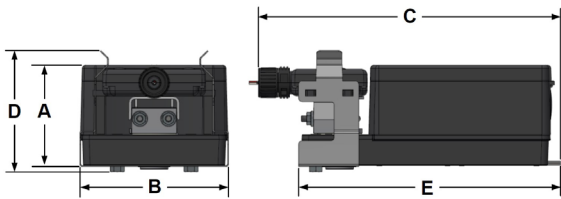
### Models

FD5-T: Feedback potentiometer for L, T and R actuators.

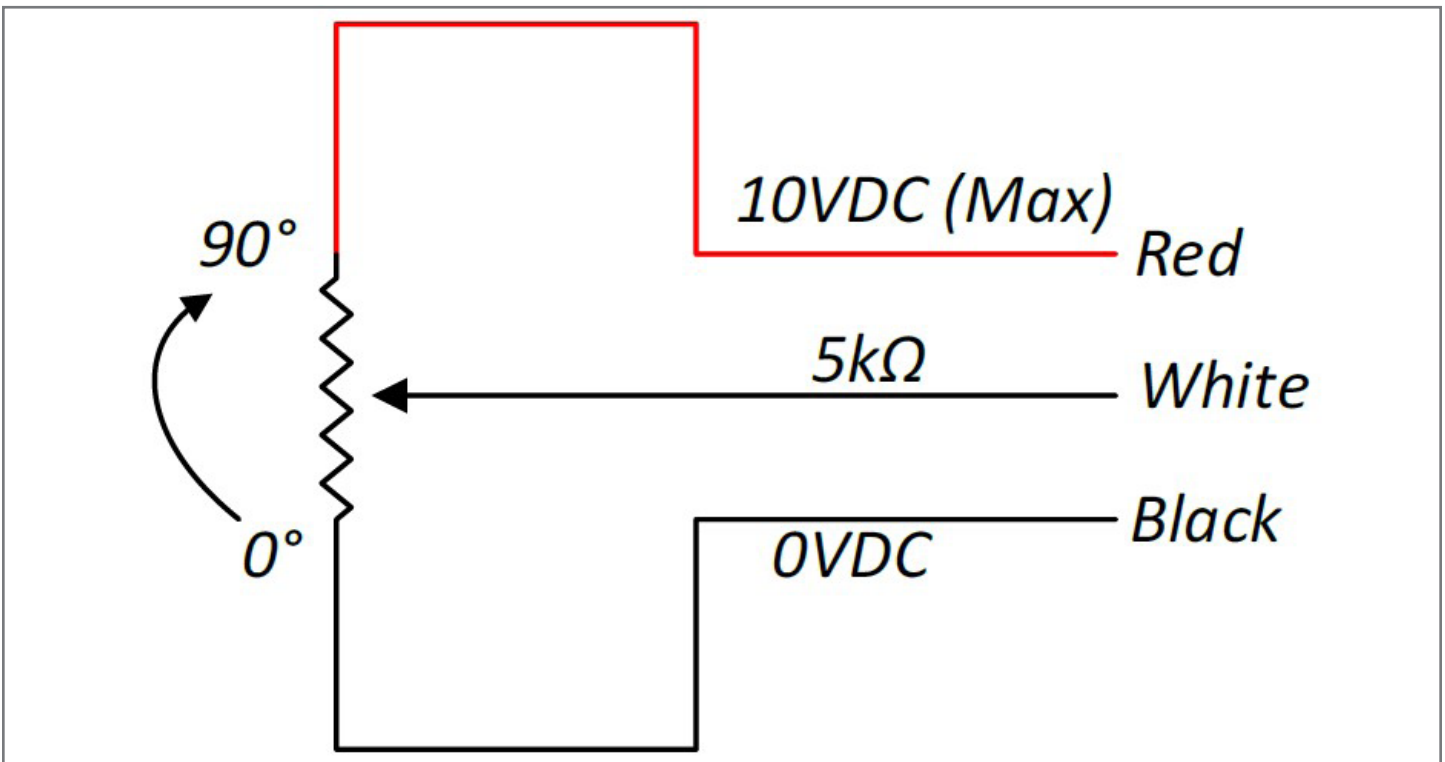


FD5-T

### Technical Specification

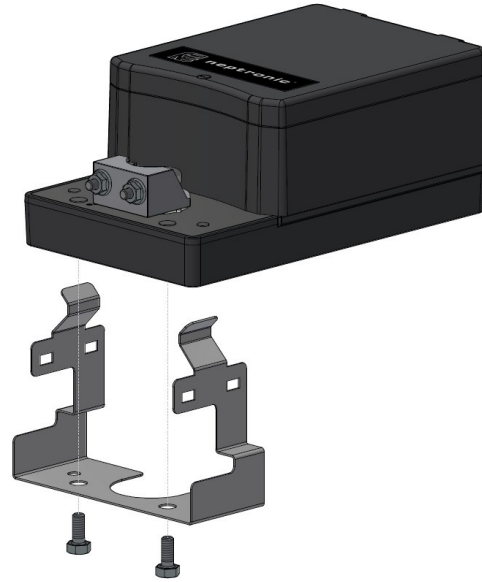
Description	FD5-T
Actuator Compatibility	Neptronic L, T and R series actuators
Power Supply	10 VDC maximum
Electrical Connection	Cable 39.5" (1m), 3 x 18AWG, FT1 with ½" conduit connector
Resistance	5 k $\Omega$ (Tol. +/- 30%)
Purpose and Action of Control	Type 1 operating control
Construction of Control	Independently mounted, accessory
Resolution Degree	2
Impulse Voltage	800V
Dimensions	 <p>           A = 3.3" or 3.5" (86mm or 89mm)            B = 5.3" (135mm)            C = 10.7" (272mm)            D = 4.3" (110mm)            E = 9.2" (234mm)            F = N/A         </p>

### Wiring Diagram

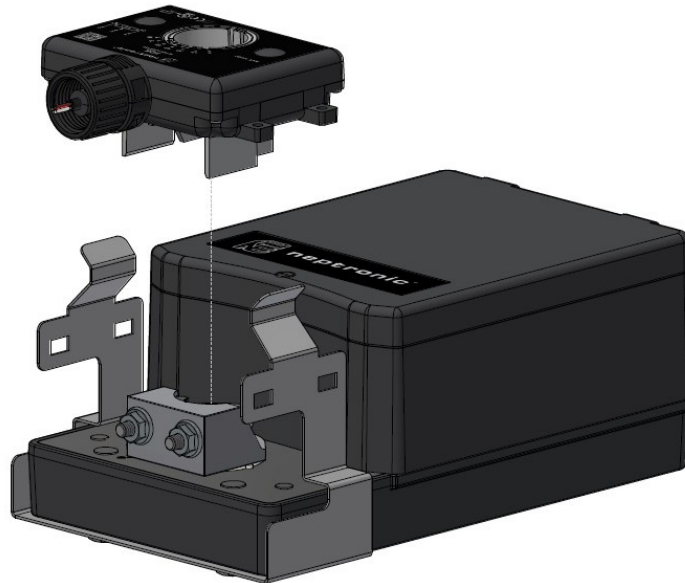


### Mounting Instruction

1. Screw the actuator onto the bracket using the two nuts and washers (supplied).



2. Ensure that the FD5 adaptor is aligned with the adaptor from the actuator. Align the FD5 with the bracket and press it until it clips in place. Ensure that all 4 protrusions are properly clipped in place.



Recycling at end of life: please return this product to your Neptronic local distributor for recycling. If you need to find the nearest Neptronic authorized distributor, please consult [www.neptronic.com](http://www.neptronic.com).