



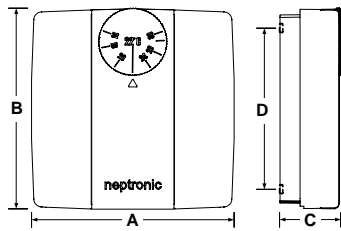
Feature:

- Celsius or Fahrenheit scale

ITO3-C
ITO3-F

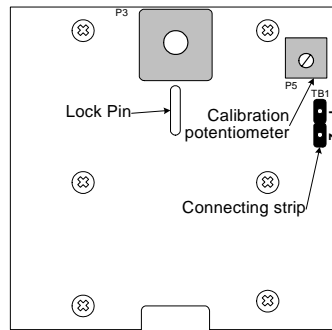
Technical Data	ITO3-C	ITO3-F
Scale	Celsius	Fahrenheit
Set point range	14°C to 30°C	57°F to 86°F
Electrical connection	2 wires 0.8 mm ² [18 AWG] minimum	
Operating temperature	2°C to 35°C (35°F to 95°F)	
Storage temperature	0°C to 50°C (32°F to 122°F)	
Potentiometer	2.5 K ohms	
Relative Humidity	5 to 95 % non condensing	
Ingress protection	IP 30 (EN 60529)	
Weight	68 g. [0.15 lb]	
Application	The temperature set point adjustment without sensor ITO3 series must be used with a duct temperature sensor from Neptronic® to control a DF series Duct heater, a BM023C actuator or a TCA or VVC controller from Neptronic®	

Dimensions



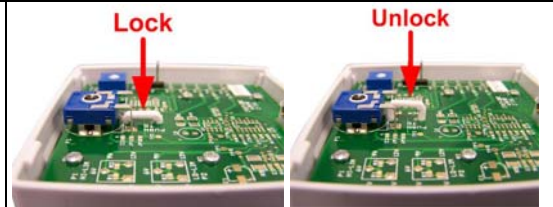
Dimension	Inches	Metric (mm)
A	3.00	78
B	3.00	78
C	1.00	24
D	2.36	60

PCB



Factory calibrated

Lock Pin for knob



Push to lock



Terminal

Mounting Instructions

- Remove the screw (captive) holding the base and the front cover of the room set point sensor enclosure.
- Lift the front cover of the enclosure to separate it from the base.
- Pull wire through the base hole.
- Secure the base to the wall using wall anchors and screws (supplied). Make the appropriate connections.
- Mount the control module on the base and secure using the screw.

Recycling at end of life



At end of life, please return the electronic control to your Neptronic® local distributor for recycling. If you need to find the nearest Neptronic® authorized distributor, please consult www.neptronic.com.