



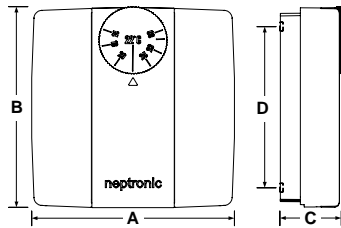
**Feature:**

- Celsius or Fahrenheit scale
- Sensor 3.3 KΩ or 10 KΩ

STS3-11C  
STS3-13C  
STS3-11F  
STS3-13F

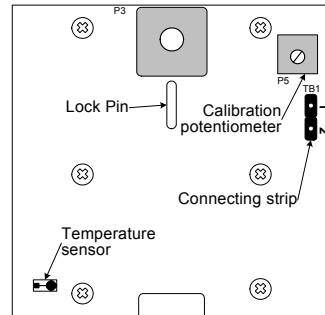
Technical Data	STS3-11C	STS3-11F	STS3-13C	STS3-13F
<b>Scale</b>	Celsius	Fahrenheit	Celsius	Fahrenheit
<b>Set point range</b>	14°C to 30°C	57°F to 86°F	14°C to 30°C	57°F to 86°F
<b>Sensor NTC</b>	10 KΩ		3.3 KΩ	
<b>Application</b>	The temperature sensor with set point adjustment STS3 series can be used with a DF series Duct heater, a BM023C-3 actuator or a TCA or VVC controller from Nepronic®			
<b>Electrical connection</b>	2 wires 0.8 mm <sup>2</sup> [18 AWG] minimum			
<b>Operating temperature</b>	2°C to 35°C (35°F to 95°F)			
<b>Storage temperature</b>	0°C to 50°C (32°F to 122°F)			
<b>Relative Humidity</b>	5 to 95 % non condensing			
<b>Ingress protection</b>	IP 30 (EN 60529)			
<b>Weight</b>	68 g. [0.15 lb]			

**Dimensions**



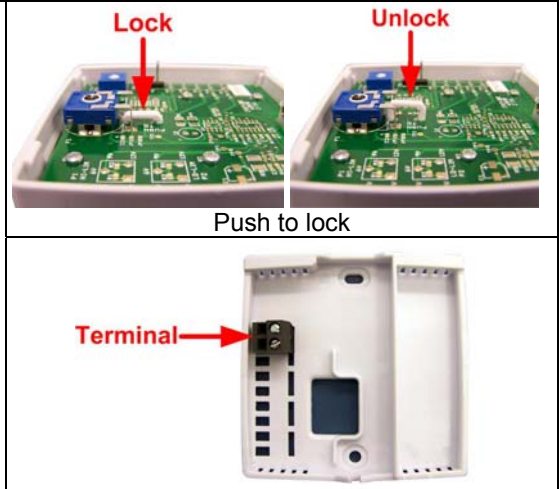
Dimension	Inches	Metric (mm)
<b>A</b>	3.00	78
<b>B</b>	3.00	78
<b>C</b>	1.00	24
<b>D</b>	2.36	60

**PCB**



Factory calibrated

**Lock Pin for knob**



**Mounting Instructions**

- Remove the screw (captive) holding the base and the front cover of the room set point sensor enclosure.
- Lift the front cover of the enclosure to separate it from the base.
- Pull wire through the base hole.
- Secure the base to the wall using wall anchors and screws (supplied). Make the appropriate connections.
- Mount the control module on the base and secure using the screw.

**Recycling at end of life**

At end of life, please return the electronic control to your Nepronic® local distributor for recycling. If you need to find the nearest Nepronic® authorized distributor, please consult [www.neptronic.com](http://www.neptronic.com).