



**Model**

SF SKRSR-120

**Description**

The SF SKRSR-120 is a remote Space Distribution Unit (SDU) that is used in an environment where a ducted air distribution system is not available. The SDU is designed for through-the-wall installation and provides steam humidification directly into the room to maintain the desired humidity.

**Applications**

- Ideal for condos or apartments.
- Installation without a duct network.

**Features**

- Installation through a wall partition to the main space.
- Suitable for installation in any closed location or a closet.
- Modern design blends well into any decor.
- Low noise (less than 40dBA at 40" [1m]).
- Standard, 120 Vac power supply.
- Maintenance free.



SF SKRSR-120

**Technical Specifications**

Description	SF SKRSR-120
Power Supply	120 Vac, ± 10%
Watts	49W
Amperage	0.43A
Electrical Connection	120V, connects to a standard electrical outlet (4 feet [1m] cable supplied and installed)
Control Connection	Fan activation dry contact (connector 1 & 2), connect 24 Vac to TB2 of SKR Air pressure switch (connector 3 & 4), connect 24 Vac to TB4 of SKR 18 AWG (0.8 mm <sup>2</sup> ) minimum
Air Flow	114 CFM (54 l/s)
Noise Level	40 dBA at 40" (1m)
Vapor Input	One input: 1 3/8" (35mm) diameter
Operating Temperature	32°F to +140°F (0°C to +60°C)
Storage Temperature	-22°F to +122°F (-30°C to +50°C)
Relative Humidity	5 to 95% non-condensed
Weight	10 lb (4.5 kg)
Dimensions: Front View A = 8.41"   214mm B = 3.88"   98mm C = 7.00"   178mm D = 2.50"   63mm	<p>Steam outlet                      Opening through the wall</p>
Dimensions: Rear View E = 7.35"   187mm F = 4.50"   114mm G = 13"   330mm H = 4.71"   120mm I = 4.50"   114mm J = 7.80"   199mm K = 3.55"   90mm	<p>With mounting brackets                      Opening through the wall</p>



### Mechanical Installation

1. Leave a clearance of at least 18" (0.46m) from the ceiling and a minimum distance of 6 feet (1.8m) in front of the steam outlet, in order to avoid ceiling and wall condensation.
2. Make an opening in the front and rear of the wall.
3. Ensure that the wall chosen for the SDU supports the installation.
4. If anchors are required, drill holes according to the recommended diameter dimensions of the selected anchor.
5. Install the two side brackets, and do not tighten the screws.
6. Place the SDU in the opening between the two brackets.
7. Adjust the brackets to the SDU enclosure and tighten the four screws (#10 - 32) [M5x0.8] on each side of the enclosure.
8. Adjust the position of the SDU so that it is in contact with the front side of the gyprock. Once adjusted, tighten all screws.
9. Install the grill onto the front of SDU.



**CAUTION: Risk of condensation. Extend the vapor outlet slightly from the front of the grill by 1/8 or 1/4" (3 or 6 mm).**

### Wiring



**CAUTION: Risk of electric shock. Turn off electric power before wiring.**

### Control Wiring

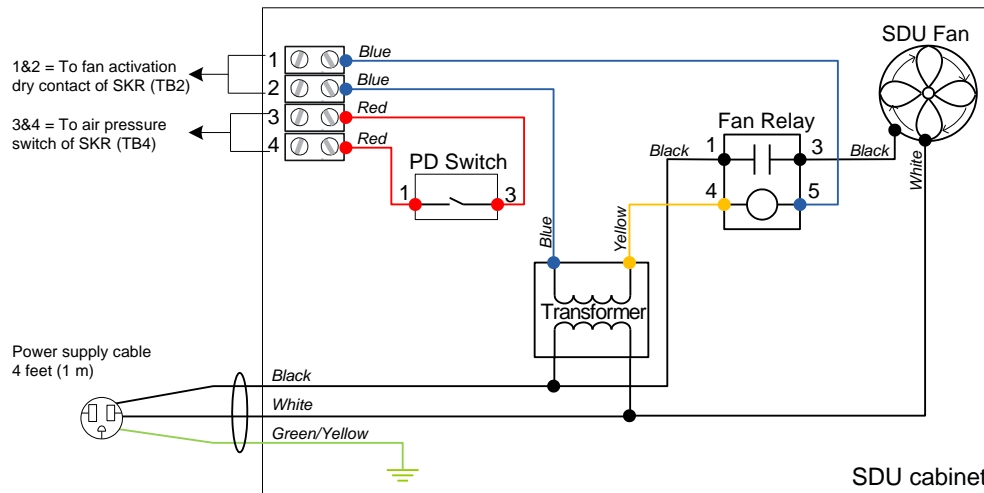
1. Use a four wire cable to connect the SKR Humidifier and the SDU.
2. Connect the fan activation dry contact from TB2 of the SKR to connectors 1 and 2 of the SDU.
3. Connect the air pressure switch signal from TB4 of the SKR to connectors 3 and 4 of the SDU.



**CAUTION: For added strain relief, insert the control cable into the enclosure via a cable holder.**

### Electrical Wiring

1. Connect the plug to a standard 120V outlet.
2. The SDU is supplied with a power supply cable and a plug for a standard 120V outlet.



### Vapor Connections



**CAUTION: Risk of malfunction and/or expulsion of boiling water. Do not flatten or fold the vapor hose.**



**CAUTION: Risk of burning. Do not block the vapor outlet.**

1. Connect a 1 3/8" (35mm) diameter flexible hose between the humidifier output and vapor input of the SDU.
2. The maximum length of the vapor hose must not exceed 6 feet (1.8m). The slope of the vapor hose must be a minimum of 15% (7 horizontal lengths for a vertical length).